



Catalogue
CATERING
Chapter
DISHWASHING

Model
 AS-260

19048568

12/04/2019

ANTI-SPLASH GUARD SUPPLEMENT, AS-260

With fitting for connection of fume extractor.

With separator curtains.

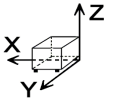
Includes extra anti-entrapment protection element.

It is an option at the entrance of compact conveyors, and fitted as standard at the entrance of modular dishwashers.

Can also be fitted at the end of the tunnel.

Length: 260 mm.

DIMENSIONS



X Width	260 mm	X Gross width	270 mm
Y Depth	650 mm	Y Gross depth	955 mm
Z Height	756 mm	Z Gross height	760 mm
Net Weight	15,0 kg	Gross Weight	16,0 kg
Net volume	0,322 m3	Gross volume	0,196 m3

ELECTRICITY TECHNICAL SPECIFICATIONS

Voltage	N/A
Electric frequency	N/A



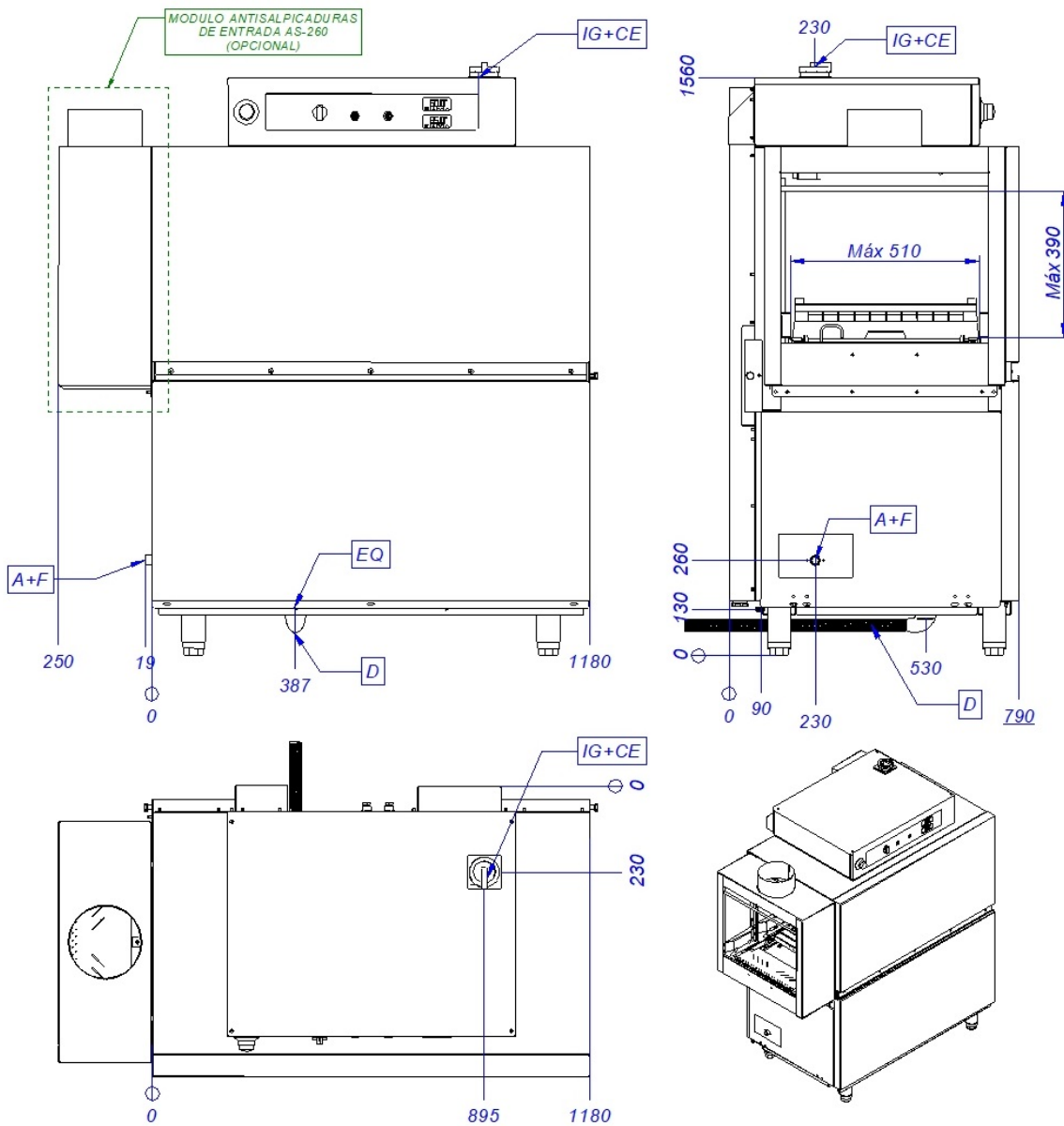
Catalogue
CATERING

Chapter
DISHWASHING

Model
AS-260

19048568

12/04/2019



A+F	Entrada de agua + filtro	Water inlet & filter	Arrivée d'eau et filtrer
CE	Alimentación eléctrica	Power supply	Connexion électrique
D	Desagüe	Drain	Vindage
EQ	Toma equipotencial	Equipotential bonding terminal	Connexion Équipotentielle
IG	Interruptor general	General switch	Interrupteur général